

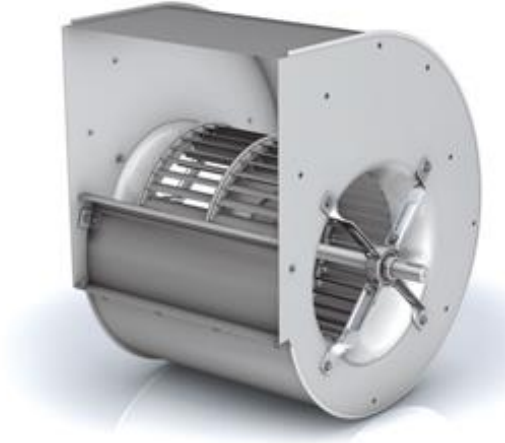
## Technical Data Sheet

CODE 11963

### NICOTRA Gebhardt RDH-250 E2

Centrifugal Fans AT belt driven

# NICOTRA | Gebhardt



Nicotra Gebhardt S.p.A. (Italy)  
Nicotra Gebhardt GmbH (Germany)

## TECHNICAL AND PERFORMANCE DATA

Permissible Nominal Motor Power	kW	4
Permissible Fan Speed	rpm	4600
Permissible Bearing Load	N	420
Permissible Media Temperature	°C	-20/+85
Maximum Delivery Airflow	m <sup>3</sup> /h	6400
Maximum Delivery Pressure	Pa	2000
Fan Weight	kg	15

### İletişim Bilgileri:

Adres: İkitelli OSB Marmara Sanayi Sitesi C Blok Sk.C blok No:4 P.K :34307 Küçükçekmece / İstanbul

Telefon : (+90) 212 901 00 77

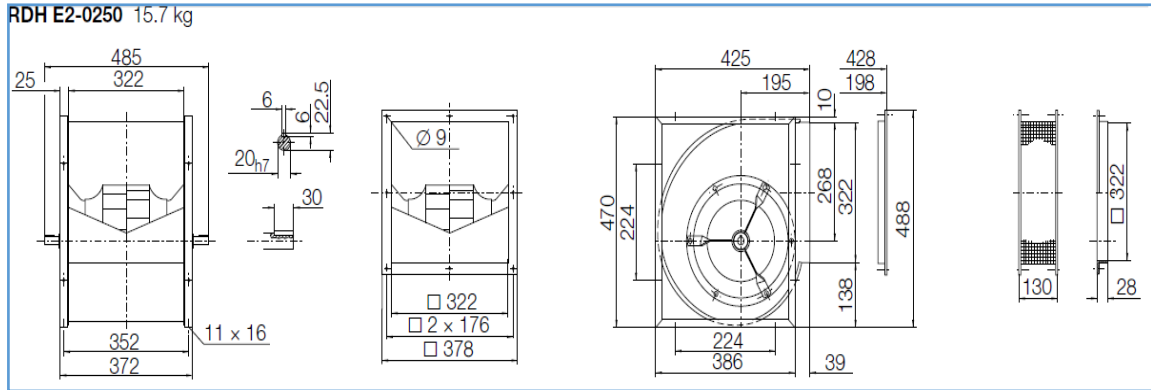
Email: [info@avensair.com](mailto:info@avensair.com) [satis@avensair.com](mailto:satis@avensair.com)

# Technical Data Sheet

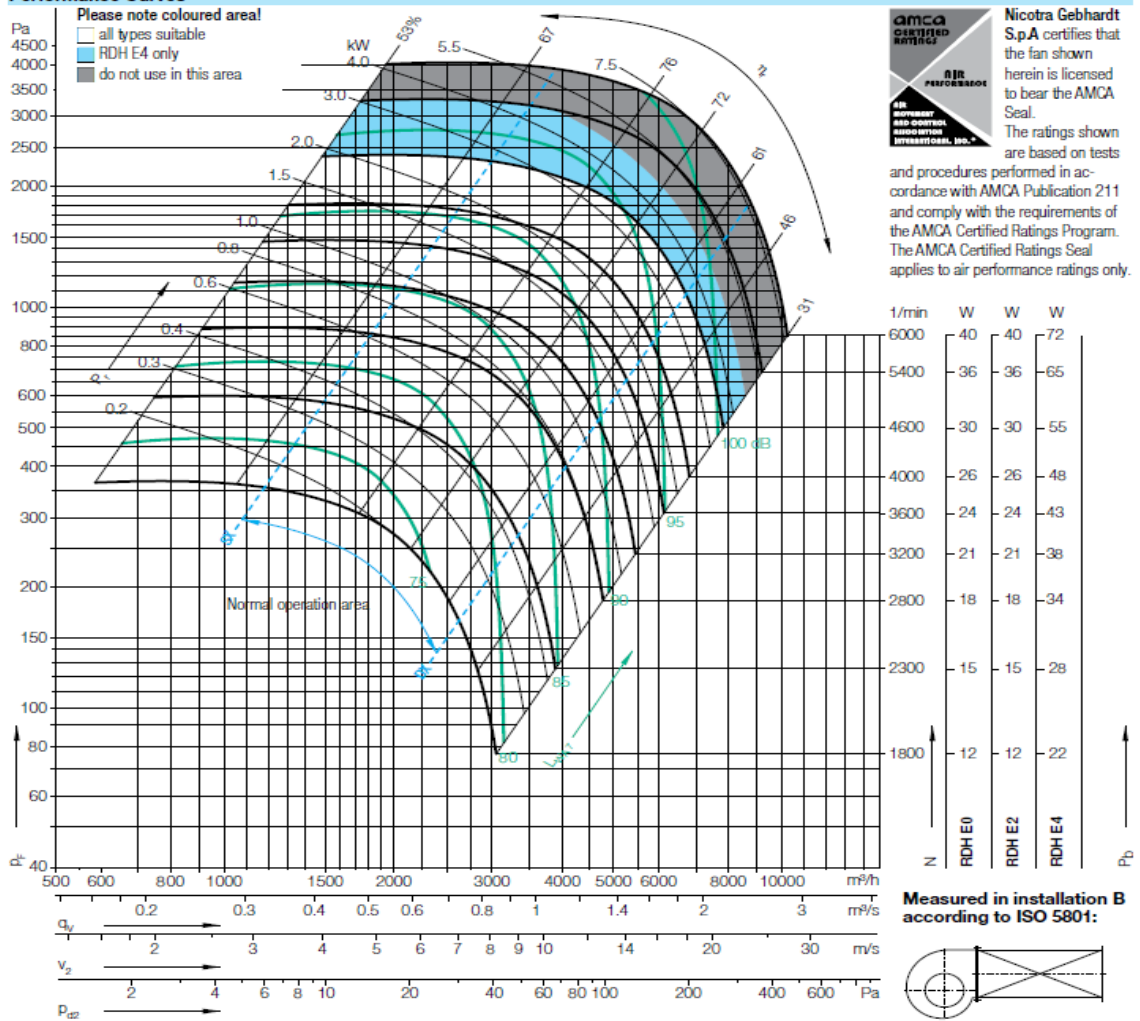
CODE 11963

## NICOTRA Gebhardt RDH-250 E2

Centrifugal Fans AT belt driven



### Performance Curves



### İletişim Bilgileri:

Adres: İkitelli OSB Marmara Sanayi Sitesi C Blok Sk.C blok No:4 P.K :34307 Küçükçekmece / İstanbul

Telefon : (+90) 212 901 00 77

Email: [info@avensair.com](mailto:info@avensair.com) [satis@avensair.com](mailto:satis@avensair.com)